

GEVA 75 Inline Electric and Hydraulic Valve 3/4", 1" 2/2 Way, NC

General Description

GEVA 75 control valves, 3/4" and 1", provide high hydraulic performances in fluid control.

Both the efficient design and the advanced technology plastics they are made of, make the valves strong, with very low maintenance.

Notes

- Made from synthetic elastomers, Stainless steel and plastics resistant to corrosion.
- They work in a wide range of pressures.
- Manual override in all the valves with internal draining.
- Progressive opening and shut off that prevents water hammer.
- Very low head loss with high flows.
- Easy maintenance. Total access to the internal parts from the cover of the valve.
- Wide range of possibilities such as electric valves, pressure regulating etc.



Applications

- Electric remote control
- Farm and gardening irrigation
- Advanced computerized irrigation
- Level control
- Filtration systems
- Fertilization systems
- Environmental control

How to Order

Example : G75 - S - 50151

Is a GEVA 75 3/4" BSPT inline electric hydraulic valve, 2WNC, with flow control, 24V AC.

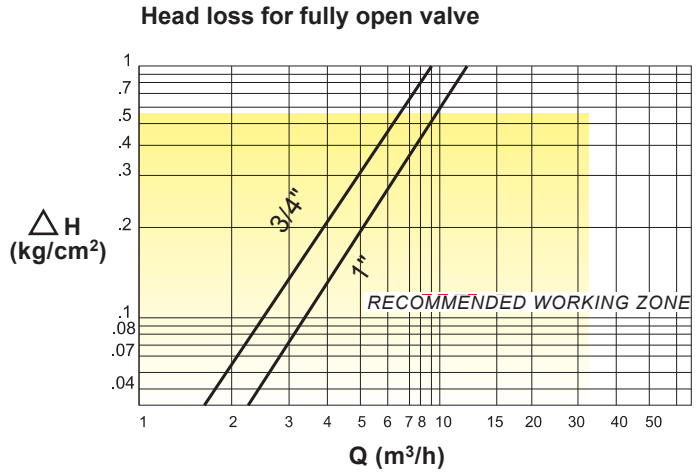
G75-S		Port	Function	Flow control	Voltage	Wires *		
	3/4" BSP	50	2WNC	with	Hydraulic	0	two	null
	1" BSPT	60			without	24VAC		
	3/4" NPT	51			9-12 Latch(4Ω)	2		
	1" NPT	61			12VAC	3		
					12VDC	4		
					24VDC	5		
					24Latch(23Ω)	6		
					110VAC	7		
					6 Latch (4Ω)	B		
					12 Latch (9Ω)	C		
					16 Latch (12Ω)	D		

**For latch only*

Technical Specifications

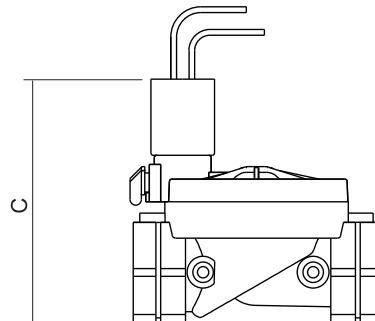
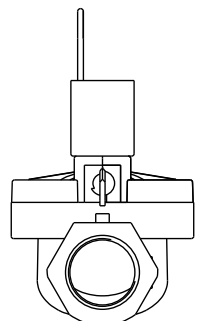
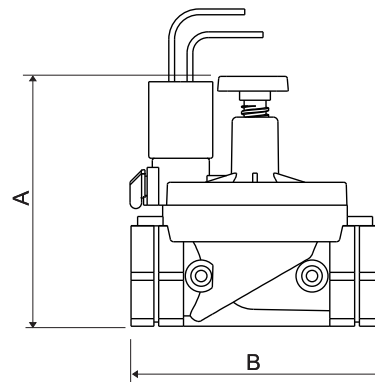
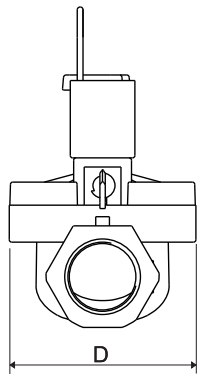
BACK

Size: 3/4" and 1"
 Connection: Female BSPT or NPT thread
 Pressure range: 0.3 - 10Kg/cm²
 Max.Fluid Temp: 50°
 Solenoid: Geva 75
 2WNC solenoids, all voltages
 Materials: **Body & Cover:** Reinforced Nylon
Spring : AISI 302
Diaphragm: PVC
Seals: Buna - N
Screws: AISI 304



Dimensions

Size	A	B	C	D	Weight
3/4"	105	110	105	81	230g
1"	112	110	112	81	230g



GEVA 75 PVC Inline Electric Valves Slip in 1" 2/2 Way, NC

General Description

GEVA 75 PVC control valves, 1" slip in, provide high hydraulic performances in fluid control.

Both the efficient design and the sophisticated plastics they are made of, make the GEVA 75 valves strong, with very low maintenance.

Notes

- Made of advanced technology plastics, synthetic elastomers and stainless steel, resistant to corrosion.
- Progressive opening and shut off that prevents water hammer.
- Very low head loss with high flows.
- Easy maintenance. Total access to the internal parts from the cover of the valve.
- Slip in sockets suitable to assemble Schedule #40 or #80 fittings.



How to Order

Example : G75 - S - 6211

Is a GEVA 75 1" slip in inline hydraulic valve, 2WNC, 24V AC.

Applications

- Electric remote control
- Farm and gardening irrigation
- Advanced computerized irrigation
- Level control
- Filtration systems
- Fertilization systems
- Environmental control

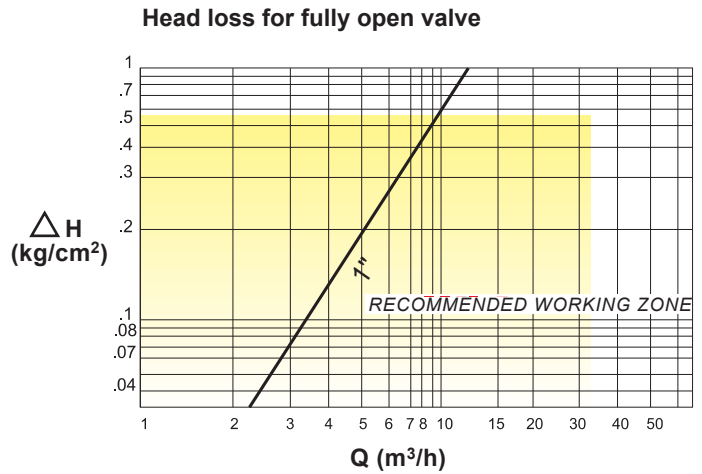
G75-S	Port	Function	Voltage	Wires *
	1" slip in 62	2WNC 1	Hydraulic 0	two null
			24VAC 1	three a
			9-12 Latch(4Ω) 2	
			12VAC 3	
			12VDC 4	
			24VDC 5	
			24Latch(23Ω) 6	
			110VAC 7	
			6 Latch (4Ω) B	
			12 Latch (9Ω) C	
			16 Latch (12Ω) D	

**For latch only*

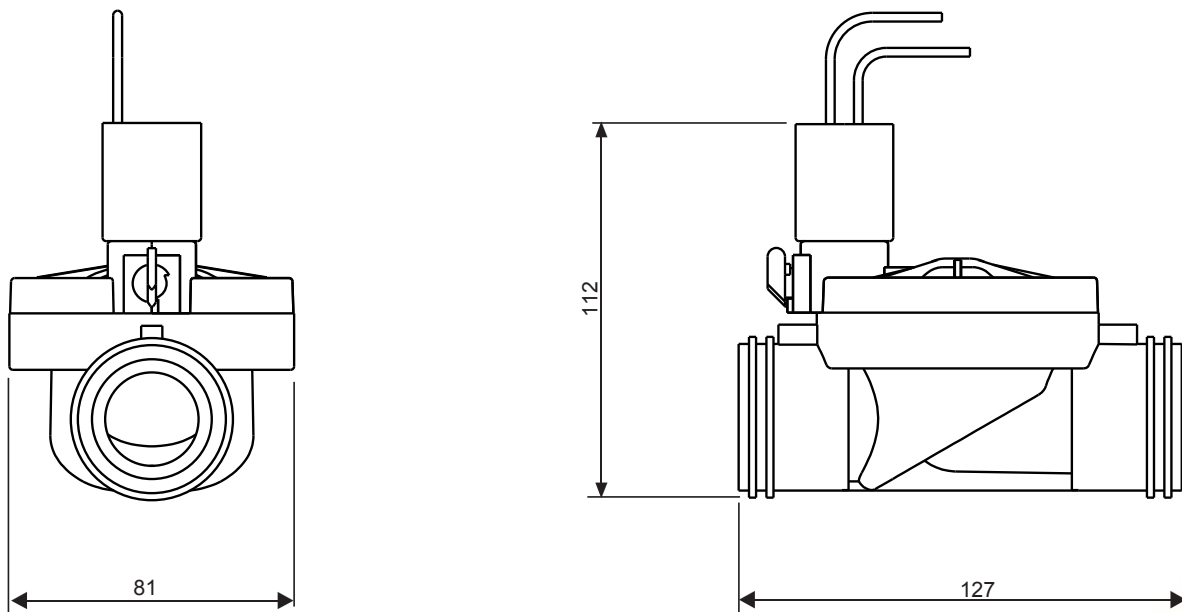
Technical Specifications

BACK

Size:	1"
Connection:	Slip in pipe
Pressure range:	0.3 - 10Kg/cm ²
Max.Fluid Temp:	50 ^o
Solenoid:	All Geva 75 coils Voltage AC, DC and latch
Weight:	296 gr.
Materials:	Body & Cover: PVC Spring : AISI 302 Diaphragm: PVC Seals: Buna - N Screws: AISI 304



Dimensions



GEVA 75 Inline Electric and Hydraulic Valves 1-1/2", 2" 2/2 Way, NC

General Description

GEVA 75 control valves, 1-1/2" and 2", provide high hydraulic performances in fluid control. Both the efficient design and the sophisticated plastics they are made of, make the GEVA 75 valves strong, with very low maintenance.

Notes

- Made from advanced technology plastics, synthetic elastomers and Stainless steel resistant to corrosion.
- They work in a wide range of pressures.
- Manual override in all the valves with internal draining.
- Progressive opening and shut off that prevents water hammer.
- Very low head loss with high flows.
- Easy maintenance. Total access to the internal parts from the cover of the valve.
- Wide range of possibilities such as electric valves, pressure regulating etc.

Applications

- Electric remote control
- Farm and gardening irrigation
- Advanced computerized irrigation
- Level control
- Filtration systems
- Fertilization systems
- Environmental control



Solenoid only for demonstration

How to Order

Example : G75 - S - 70151

Is a GEVA 75 1-1/2" BSP inline electric hydraulic valve, 2WNC, with flow control, 24V AC.

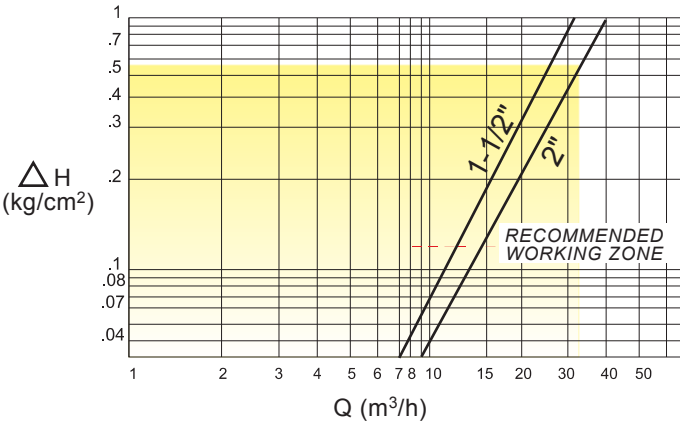
G75-S	Port	Function	Flow control	Voltage	Wires *
	1-1/2"BSPT 70	2WNC 1	with 5	Hydraulic 0	two null
	1-1/2"NPT 71			24VAC 1	three a
	2"BSPT 80			9-12 Latch(4Ω) 2	
	2"NPT 81			12VAC 3	
				12VDC 4	
				24VDC 5	
				24Latch(23Ω) 6	
				110VAC 7	
				6 Latch (4Ω) B	
				12 Latch (9Ω) C	
				16 Latch (12Ω) D	

**For latch only*

Technical Specifications

Size: 1-1/2" and 2"
Connection: Female BSPT or NPT thread
Pressure range: 0.3 - 10bar
Max. pressure: 10 bar
Max. Fluid Temp: 50°C
Solenoid: Geva 75
 2WNC solenoids, all voltages
Materials: **Body & Cover:** Reinforced Nylon
Spring : AISI 302
Diaphragm: PVC
Seals: Buna - N
Screws: AISI 304

Head loss for fully open valve



Dimensions

Size	A	B	C	Weight
1-1/2"	180	160	126	740g
2"	190	170	126	790g

